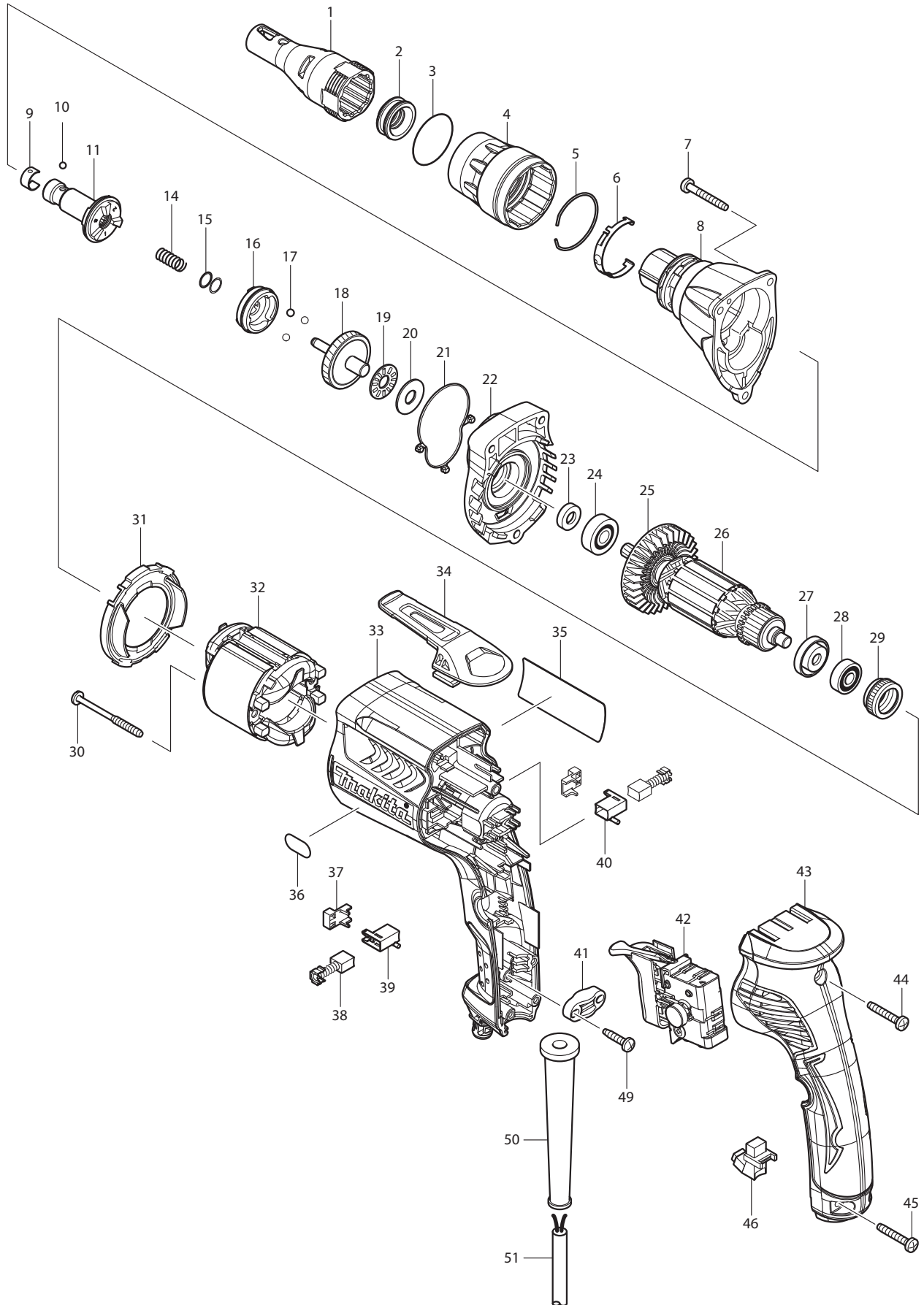




08 - 2010

FS6300

1/4" DRYWALL SCREWDRIVER



| Item No | Type | Ref | Part No | Description | Qty | Unit |
|---------|------|------|----------|---|-----|------|
| 001 | | | 158876-0 | LOCATOR L COMPLETE | 1 | PC. |
| 002 | | | 424163-2 | DUST SEAL SLEEVE | 1 | PC. |
| 003 | | | 424235-3 | SEAL RING 30 | 1 | PC. |
| 004 | 2 | | 455591-0 | LOCK RING | 1 | PC. |
| 005 | | | 233974-2 | RING SPRING 33 | 1 | PC. |
| 006 | | | 232245-4 | LEAF SPRING | 1 | PC. |
| 007 | | | 266361-0 | TAPPING SCREW 4X30 | 3 | PC. |
| 008 | | | 158881-7 | GEAR HOUSING HSA COMPLETE | 1 | PC. |
| 009 | | | 232050-9 | LEAF SPRING | 1 | PC. |
| 010 | | | 216001-0 | STEEL BALL 3.5 | 1 | PC. |
| 011 | | | 158886-7 | SPINDLE 125S COMPLETE | 1 | PC. |
| 014 | | | 234121-8 | COMPRESSEION SPRING 8 | 1 | PC. |
| 015 | | | 267202-3 | FLAT WASHER 8 | 2 | PC. |
| 016 | | | 223170-0 | CLUTCH CAM 125S | 1 | PC. |
| 017 | | | 216008-6 | STEEL BALL 4 | 3 | PC. |
| 018 | | | 158885-9 | GEAR 38S COMPLETE | 1 | PC. |
| 019 | | | 216415-3 | THRUST NEEDLE CAGE 821 | 1 | PC. |
| 020 | | | 216212-7 | WASHER 821 | 1 | PC. |
| 021 | | | 424162-4 | SEAL RING | 1 | PC. |
| 022 | | | 158874-4 | GEAR HOUSING COVER COMPLETE | 1 | PC. |
| 023 | | | 451100-3 | RING 8 | 1 | PC. |
| 024 | | | 210007-0 | BALL BEARING 608VV | 1 | PC. |
| 025 | | | 240083-0 | FAN 52 | 1 | PC. |
| 026 | | | 515751-7 | ARMATURE ASSEMBLY 115V | 1 | PC. |
| | | INC. | ***** | Item No. 23-25, 27, 28 | 1 | PC. |
| 027 | | | 681636-0 | INSULATION WASHER | 1 | PC. |
| 028 | | | 210062-2 | BALL BEARING 607ZZ | 1 | PC. |
| 029 | | | 421868-5 | LABYRINTH RUBBER RING 19 | 1 | PC. |
| 030 | | | 266467-4 | TAPPING SCREW 4X50 | 2 | PC. |
| 031 | | | 450880-8 | BAFFLE PLATE | 1 | PC. |
| 032 | | | 633691-8 | FIELD 115V | 1 | PC. |
| 033 | | | 450877-7 | MOTOR HOUSING S | 1 | PC. |
| 034 | | | 162272-6 | HOOK | 1 | PC. |
| 035 | | | 866558-7 | FS6300 NAME PLATE | 1 | PC. |
| 036 | | | 808576-9 | 6000RPM INDICATION LABEL | 1 | PC. |
| 037 | | | 689111-0 | SPACER | 2 | PC. |
| 038 | | | 195007-0 | CARBON BRUSH CB-407 2PC/SET, W/O ORIGIN | 1 | SET |
| 039 | | | 643948-9 | BRUSH HOLDER | 1 | PC. |
| 040 | | | 643951-0 | BRUSH HOLDER | 1 | PC. |
| 041 | | | 687123-7 | STRAIN RELIEF | 1 | PC. |
| 042 | | | 650614-1 | SWITCH | 1 | PC. |
| 043 | | | 158877-8 | HANDLE COVER S COMPLETE | 1 | PC. |
| | | INC. | 263002-9 | RUBBER PIN 4 | 2 | PC. |
| 044 | | | 266374-1 | TAPPING SCREW 4X25 | 1 | PC. |
| 045 | | | 266374-1 | TAPPING SCREW 4X25 | 2 | PC. |
| 046 | 2 | | 631938-4 | LIGHT CIRCUIT | 1 | PC. |
| 049 | | | 265995-6 | TAPPING SCREW 4X18 | 2 | PC. |
| 050 | | | 682559-5 | CORD GUARD 8 | 1 | PC. |
| 051 | | | 664891-9 | CORD WITH PLUG 2P-18-2.5M SJ | 1 | PC. |
| 052 | | | 892811-5 | CLEAR LABEL (Added) | 1 | PC. |
| 053 | | | 423413-2 | RUBBER PLATE (Added) | 1 | PC. |
| 100 | | | 654121-6 | TAB | 4 | PC. |
| 101 | | | 654593-5 | SPLICE | 6 | PC. |
| 200 | | | 870060-4 | CARTON | 1 | PC. |

ACCESSORIES

- See catalogue or visit www.makita.ca for more optional accessories -

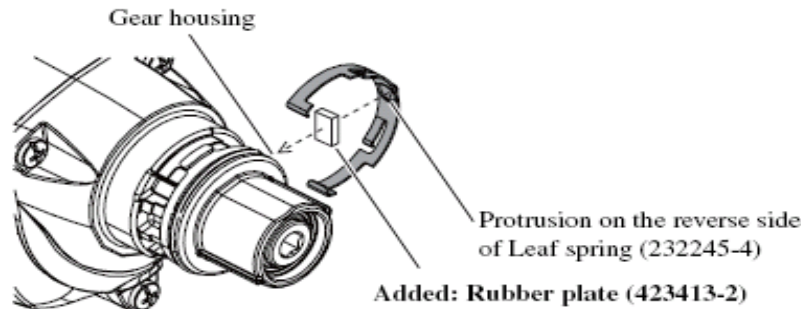
| | | | | | | |
|-----|--|--|---------|----------------------------------|---|-----|
| A01 | | | B-24125 | DRIVER BIT PH2 1" 3/SET | 1 | SET |
| | | | B-24935 | DRIVER BIT PH2 1" 100/SET IN JAR | 1 | SET |
| | | | B-25018 | DRIVER BIT PH2 1" 100/SET IN BAG | 1 | SET |
| | | | A-96469 | IMPACTX BIT PH2 1" 2/SET | 1 | SET |
| | | | A-96475 | IMPACTX BIT PH2 1" 50/SET IN BAG | 1 | SET |

| Item No | Type | Ref | Part No | Description | Qty | Unit |
|---------|------|------|----------|---|-----|------|
| | | | 784213-8 | PHILLIPS INSERT BIT 3-25 | 1 | PC. |
| | | | 784261-7 | + BIT 2-25 | 2 | PC. |
| A02 | | | A-96942 | IMPACTX MAGNETIC BIT HOLDER 3" | 1 | PC. |
| | | | A-96992 | IMPACTX MAGNETIC BIT HOLDER 3" | 1 | PC. |
| | | | A-99281 | IMPACTX MAGNETIC BIT HOLDER 3" 10/SET | 1 | SET |
| | | | A-99312 | IMPACTX MAGNETIC BIT HOLDER 3" 10/SET | 1 | SET |
| A03 | | | 784801-1 | MAGNETIC BIT HOLDER 6.35-76 | 1 | PC. |
| | | | B-52451 | MAGNETIC BIT HOLDER 2-3/8" | 1 | PC. |
| | | | A-96920 | IMPACTX MAGNETIC BIT HOLDER 2-3/8" | 1 | PC. |
| | | | A-96970 | IMPACTX 1PC MAGNETIC BIT HOLDER 2-3/8" | 1 | PC. |
| | | | A-96936 | IMPACTX MAGNETIC BIT HOLDER 2-3/8" | 1 | PC. |
| | | | A-96986 | IMPACTX 1PC MAGNETIC BIT HOLDER 2-3/8" 10/SE IN BAG | 1 | SET |
| A04 | | | 784807-9 | MAGNETIC BIT HOLDER 6.35-60 | 1 | PC. |
| | | | B-45076 | MAGNETIC NUTSETTER 1/4" | 1 | PC. |
| | | | A-97112 | IMPACTX MAGNETIC NUTSETTER 1/4" | 1 | PC. |
| A05 | | | A-97128 | IMPACTX MAGNETIC NUTSETTER 1/4" 10/SE IN BAG | 1 | PC. |
| | | | B-45082 | MAGNETIC NUTSETTER 5/16" | 1 | PC. |
| | | | A-97162 | IMPACTX MAGNETIC NUTSETTER 5/16" | 1 | PC. |
| A06 | | | A-97178 | IMPACTX MAGNETIC NUTSETTER 5/16" 10/SE IN BAG | 1 | SET |
| | | | B-45098 | MAGNETIC NUTSETTER 3/8" | 1 | PC. |
| | | | A-97215 | IMPACTX MAGNETIC NUTSETTER 3/8" | 1 | PC. |
| A07 | | | A-97221 | IMPACTX MAGNETIC NUTSETTER 3/8" 10/SE IN BAG | 1 | SET |
| | | | B-45107 | MAGNETIC NUTSETTER 7/16" | 1 | PC. |
| | | | A-97259 | IMPACTX MAGNETIC NUTSETTER 7/16" | 1 | PC. |
| A08 | | | A-99493 | IMPACTX MAGNETIC NUTSETTER 7/16 10/SE IN BAG | 1 | SET |
| | | | 824890-5 | PLASTIC CARRYING CASE | 1 | PC. |
| | | INC. | 163455-1 | LATCH | 2 | PC. |
| | | INC. | 419360-3 | HANDLE | 1 | PC. |
| B01 | | | 197024-6 | LOCATOR L SET | 1 | PC. |
| | | INC. | | INC. 1-4 | | |

SERVICE CHANGES

1. Addition of Rubber Plate

| Item No. | Description | Type1 | Type2 |
|----------|--------------|-------|----------|
| 53 | Rubber Plate | ---- | 423413-2 |



(T/# 86789)